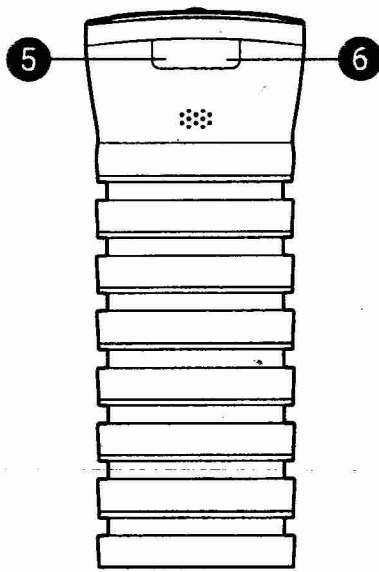
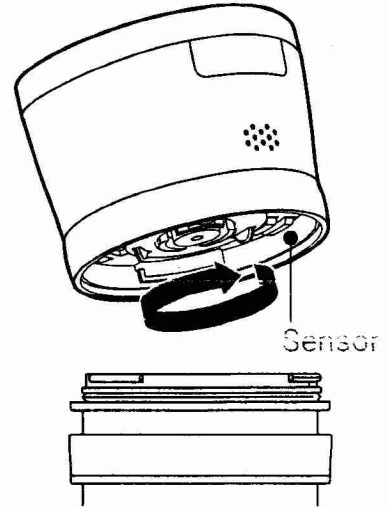


- 1. Status button
- 2. USB cover
- 3. Speaker



- 4. Pods (x7)
- 5. Sound button
- 6. Timer button

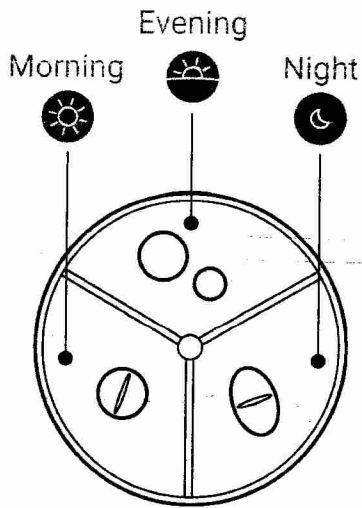
1
Open cap and pods by turning counter-clockwise.



Item/Sku: 481102

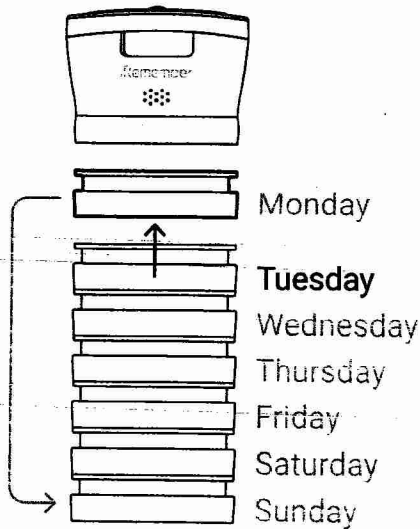
2

Sort 7 days of pills and place doses in pods.



3

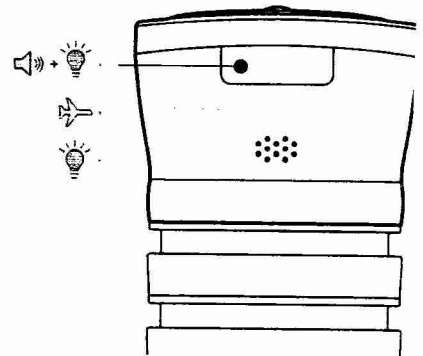
Stack pods and place upcoming pod on top.



4

Set Light & Sound

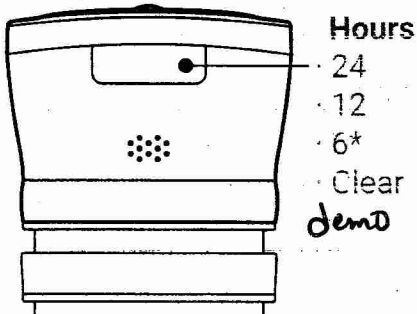
Press left button (5) to select:
Sound On
Flight Mode
Sound Off



5

Set timer

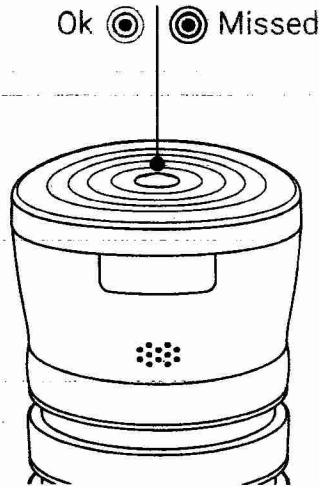
Press right side of button (6) until selection is heard. To Cancel timer, select "Clear"



* Start with morning dose

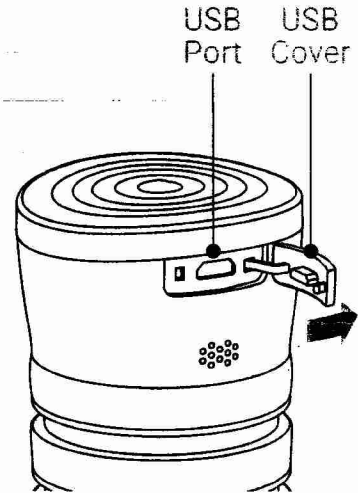
6

For 'Last opened' notification press status button (1):







7

Open USB cover (2) to connect charger.



8

Download our app and get the most out of iRemember. Search 'iRemember' in the Google Play App Store.

-  Remembers location of last connection.
-  Activity log
-  Open/Closed and Status button
-  Battery level indicator

FAQ

1. Do I need a mobile phone to use iRemember?

No, iRemember will work by itself for daily reminders. For additional features, pair with mobile phone app.

2. Does iRemember work with multiple medicines?

Yes, multiple pills and multiple doses can be organized with iRemember.

3. May I use liquids with iRemember?

No, liquids are not permitted.