

AUTO CALENDAR CLOCK

AD-630/640/650



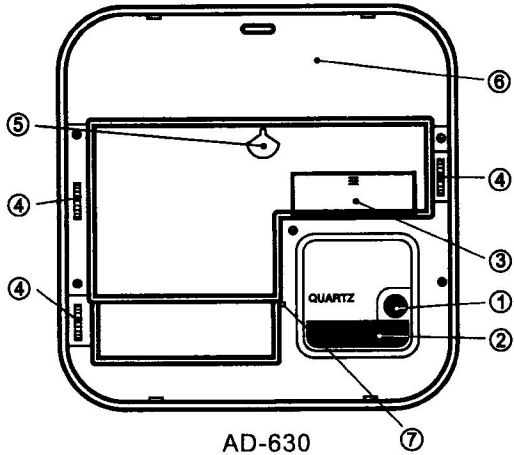
INSTRUCTION MANUAL

Please read this manual carefully before using the calendar clock.

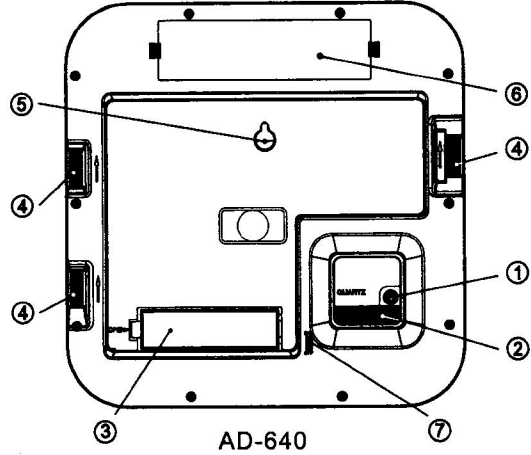
IMPORTANT:

- Keep the unit away from heating ducts, fire places, humid or wet areas, or direct sunlight.
- Do not drop the unit and avoid heavy impacts.
- Please ensure batteries are installed properly.
- Do not use corrosive solution for cleaning any surface of the flip clock unit. Recommended cleaning solutions can be any one of the following: rubbing alcohol, soap or dish detergent.
- Batteries in all components should be changed at the same time, and are recommended to be replaced every year.

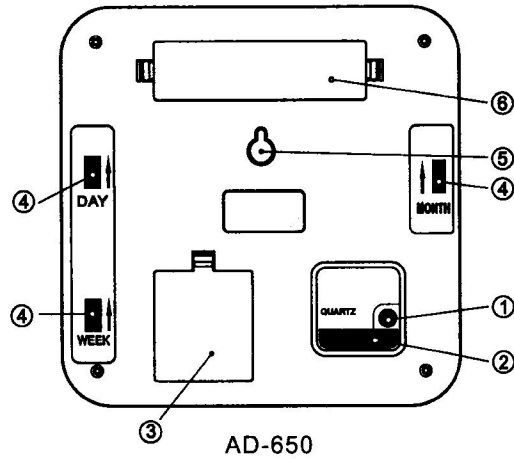
COMPONENTS OF FLIP CLOCKS



AD-630

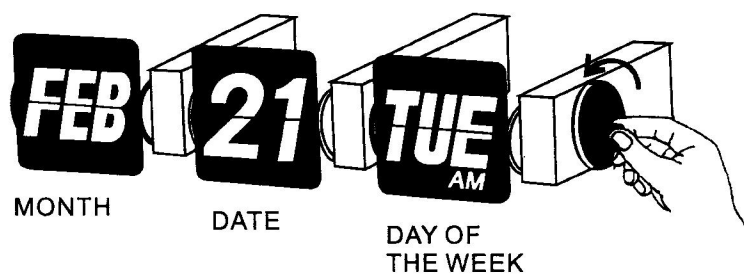


AD-640



AD-650

- ① Clock turn-knob
- ② Battery
- ③ Battery chamber cover
- ④ Flip turn-knob
- ⑤ Clock hanging notch
- ⑥ Year Number back cover
- ⑦ System "ON-OFF" switch



MONTH

DATE

DAY OF THE WEEK

SET - UP INSTRUCTIONS

To ensure proper function of the flip clock signalization, please follow the instructions to set up your flip clock.

- 1) Install all batteries; make sure the ON/OFF switch is ON (only available on certain models).
- 2) Set the analog clock to the current time.
- 3) Slowly set the day of the week (AM/PM) to the current day.
- 4) Slowly set the date to the current date.
- 5) Set the month to the current month.

Patent Numbers

USA : 4694597, 5274616, 7609589 B1

UK : 2181279, 2266977, GB 2466227

CHINA : 38201, 54537, 136997

200720008355.0

200730140582.4

ZL 2008 2 0229321.9

TAIWAN : 31158, 31158-1, 31158-2, 74085

M 361651

JAPAN : 3151413

KOREA : 96412

TROUBLE SHOOTING

Problem	Solutions
Flip panels came off	<ul style="list-style-type: none"> ■ Open the unit case by unscrewing the screws. ■ Carefully separate the front case from the back case. ■ Insert loosened flip panel(s) back onto the wheel.
Calendar does not flip	<ul style="list-style-type: none"> ■ Ensure the batteries are installed properly. ■ Ensure all batteries installed are new and free from debris or residual plastic wrapping. ■ Ensure the switch is in the ON position (available only on certain models). ■ Advanced Trouble Shooting: If the calendar still does not flip after you have completed the above steps. Please try the following: <ul style="list-style-type: none"> ■ Manually adjust the time of the clock to 11:30. ■ Starting from 11:30, slowly adjust the time clockwise (going forward) to 12:05, you should hear a slight noise from the motor, and the day of the week panel should flip (AM or PM). ■ Continue to setup your flip clock using the set-up instructions.
Leap year on February 29	<ul style="list-style-type: none"> ■ Allow the flip clock to proceed to March 1. ■ Wait until March 1, and follow the standard set up instructions to display current date and time.